

## Advantages

- High withstand voltage 20kV
- For large current
- Low power consumption
- Extended measuring range

## Open Loop Type



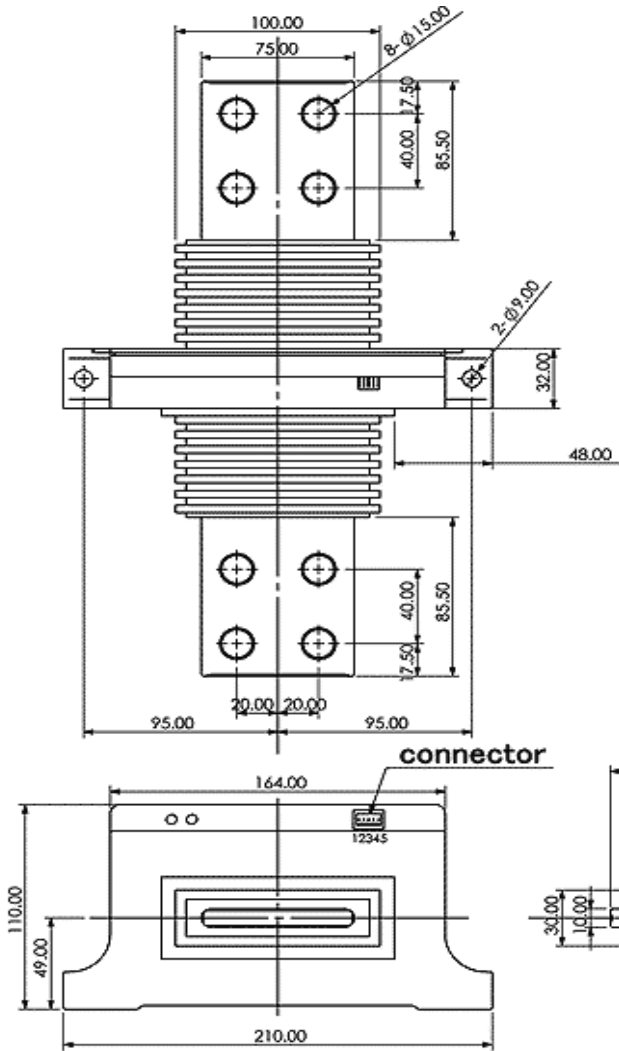
## Specifications

Ta=25°C

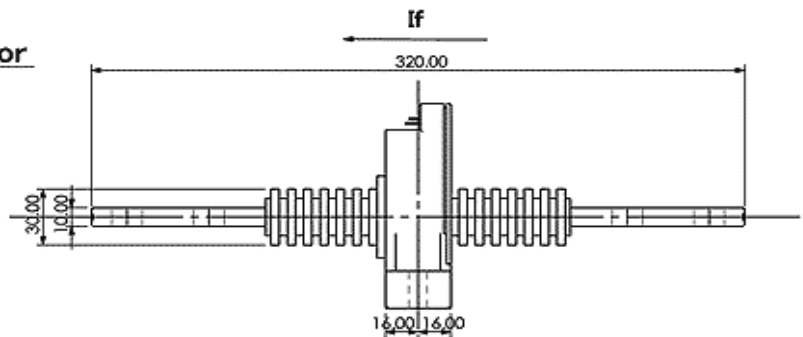
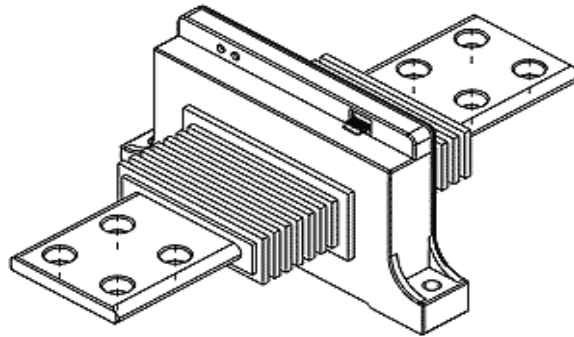
Product name	Code:3001		CEA-500HV
	Symbol	Unit	
Nominal input current	If(n)	AT	±500
Saturation current	If(s)	AT	±550
Nominal Output Voltage	Vh	V	±10±0.100 [at If(n)]
Load resistance	RL	Ω	10k
Offset Voltage	Vo	V	0±0.050 [at 0A]
Supply Voltage	Vcc	V DC	±15±5%
Consumption Current	Icc	mA	±30 Max.
Response Speed	Trr	μ sec	25 Max. [at di/dt=100A/μ sec]
Thermal Drift of Vh		%/°C	±0.1 Max. [at If(n)]
Thermal Drift of Vo		mV/°C	±2 Max. [at 0A]
Dielectric Strength		kV	AC 20 [with 50 or 60 Hz 1min.]
Insulation Resistance		Ω	500M Min. [at 500V DC]
Operating Temperature	Ta	°C	-10 to +50
Storage Temperature	Ts	°C	-15 to +60
Hysteresis Error		mV	±70 Max. [at If --> 0]

# Dimensions

Unit : mm



When installing vertically  
Make sure that the connector faces downward.

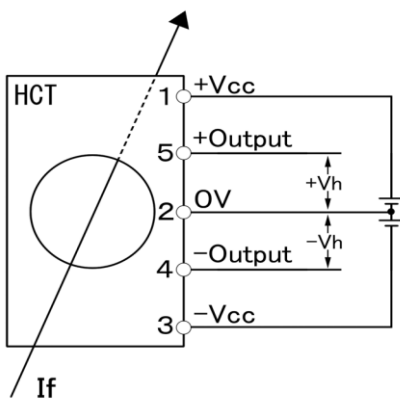


Connector Type[22-11-1051] Maker[Molex]

CEAHV-22003

Product Name	Mass
CEA-500HV	3910g

# Connection



**NANA** ENGINEERING CO.,LTD.

1-22-5,Morino,Machida-shi,Tokyo 194-0022  
Machida 310 Irago building 4F  
E-Mail : nanaeng\_sales@nana-e.com  
URL : <http://www.nana-e.com>