

## Advantages

- High reliability
- For large current
- Low power consumption
- Extended measuring range
- For railway

## Open Loop Type



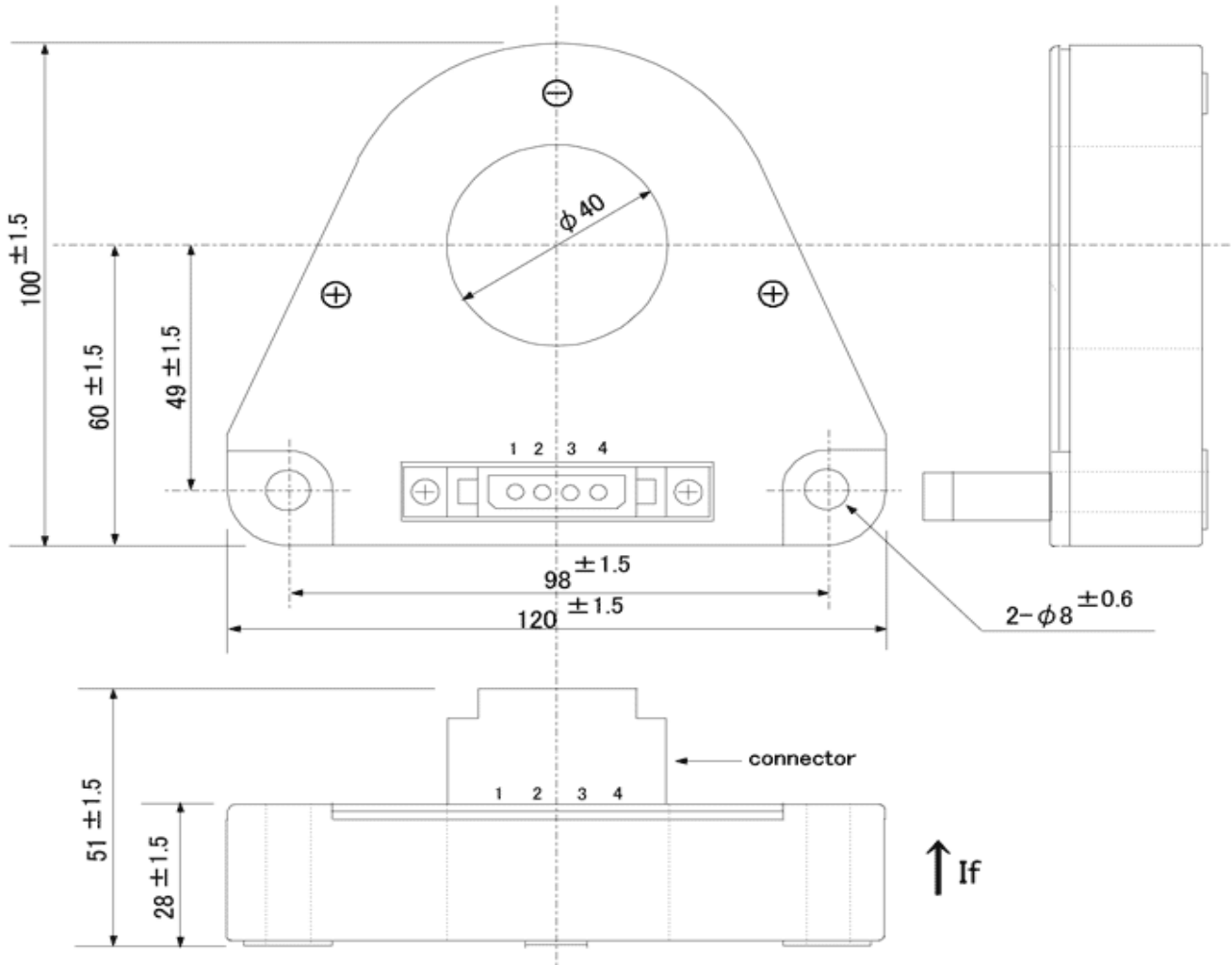
## Specifications

Ta=25°C

Product name	Code:2200		CP-1000
	Symbol	Unit	
Nominal input current	If(n)	AT	±1000
Saturation current	If(s)	AT	±1100
Nominal Output Voltage	Vh	V	±10±0.100 [at If(n)]
Load resistance	RL	Ω	2k
Offset Voltage	Vo	V	0±0.030 [at 0A]
Supply Voltage	Vcc	V DC	±15±5%
Consumption Current	Icc	mA	±35 Max.
Response Speed	Trr	μ sec	100 Max. [at di/dt=100A/μ sec]
Thermal Drift of Vh		%/°C	±0.05 Max. [at Ta=-40 to+80°C]
Thermal Drift of Vo		mV/°C	±1 Max. [at Ta=-40 to+80°C]
Dielectric Strength		kV	AC 2.5 [with 50 or 60 Hz 1min.]
Insulation Resistance		Ω	500M Min. [at 500V DC]
Operating Temperature	Ta	°C	-40 to +80
Storage Temperature	Ts	°C	-40 to +85
Hysteresis Error		mV	50 Max. [at If --> 0]

Dimensions

Unit : mm



Connector Type[TE34-4-16P-F0] Maker[JAE]

CP-21023

Product Name	Mass
CP-1000	390g

Connection



**NANA** ENGINEERING CO.,LTD.

1-22-5,Morino,Machida-shi,Tokyo 194-0022  
 Machida 310 Irago building 4F  
 E-Mail : nanaeng\_sales@nana-e.com  
 URL : <http://www.nana-e.com>