

Features

- High reliability
- For large current
- Low power consumption
- Extended measuring range
- Dual output (the sama circuit) built-in

Open Loop Type



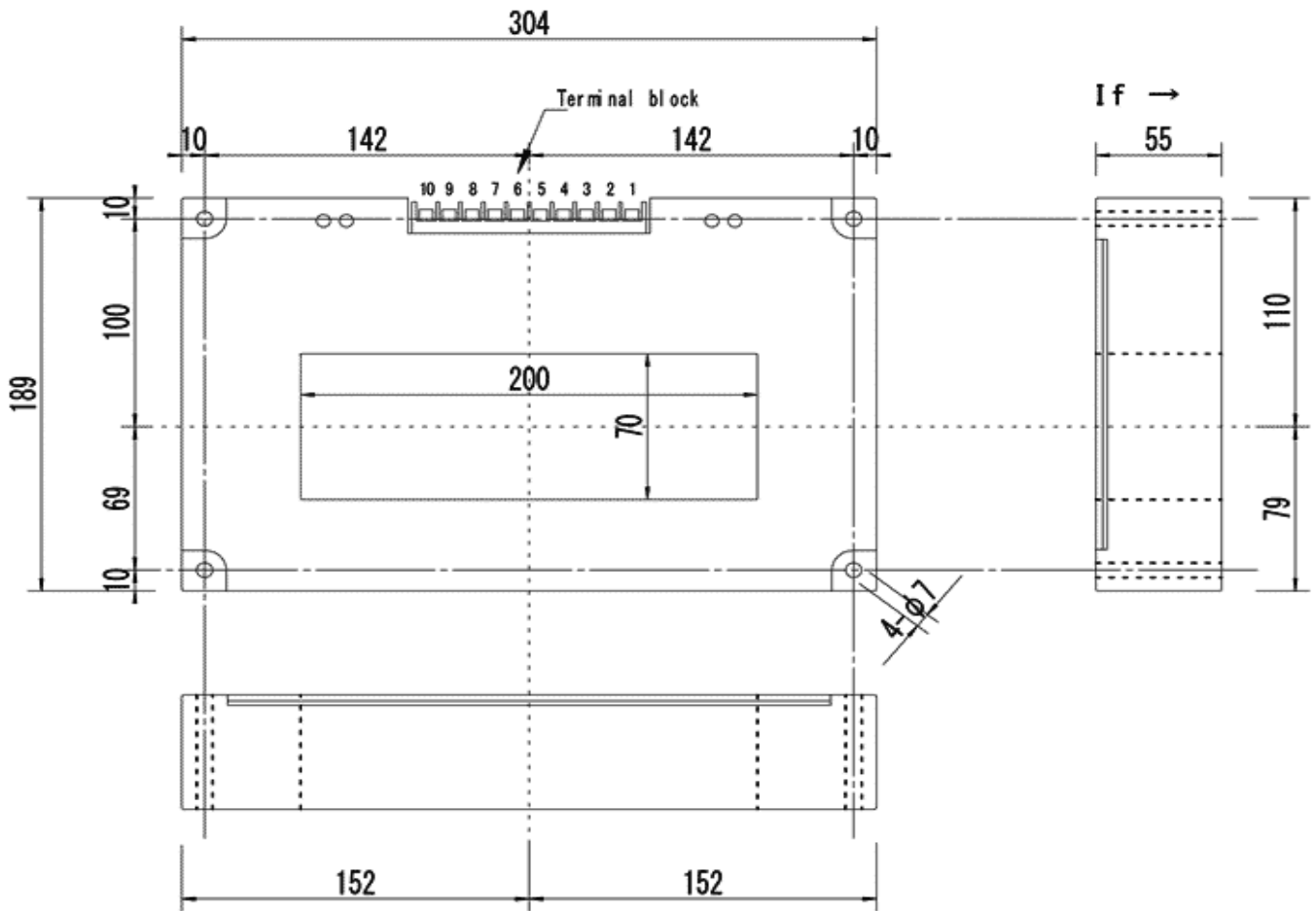
Specifications

Ta=25°C

Product name	Code:1994		CTH-15KV
	Symbol	Unit	
Nominal input current	If(n)	AT	±15000
Saturation current	If(s)	AT	±16500
Nominal Output Voltage	Vh	V	±10±0.100 [at If(n)]
Load resistance	RL	Ω	10k
Offset Voltage	Vo	V	0±0.030 [at 0A]
Supply Voltage	Vcc	V DC	±15±5%
Consumption Current	Icc	mA	35+35 Max(dual circuit)
Response Speed	Trr	μ sec	7 Max. [at di/dt=100A/μ sec]
Thermal Drift of Vh		%/°C	±0.08 Max. [at If(n)]
Thermal Drift of Vo		mV/°C	±1 Max. [at 0A]
Dielectric Strength		kV	AC 2.5 [with 50 or 60 Hz 1min.]
Insulation Resistance		Ω	500M Min. [at 500V DC]
Operating Temperature	Ta	°C	-20 to +80
Storage Temperature	Ts	°C	-25 to +85
Hysteresis Error		mV	±50 Max. [at If --> 0]

Dimensions

Unit : mm

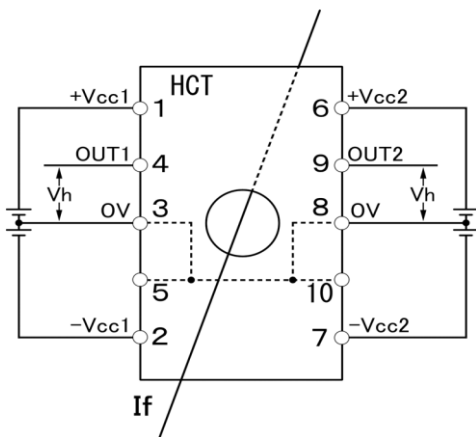


Terminal Block Type[F2010(M4)] Maker[FUJICON]

CTH-21031

Product Name	Mass
CTH-15KV	6.6kg

Connection



NANA ENGINEERING CO.,LTD.

Machida 310 Irago building 4F
 1-22-5 Morino, Machida-shi, Tokyo 194-0022
 E-Mail : nanaeng_sales@nana-e.com
 URL : <http://www.nana-e.com>