

## Advantages

- Excellent accuracy
- Low thermal drift
- Excellent linearity
- Wide frequency bandwidth

## Closed Loop Type



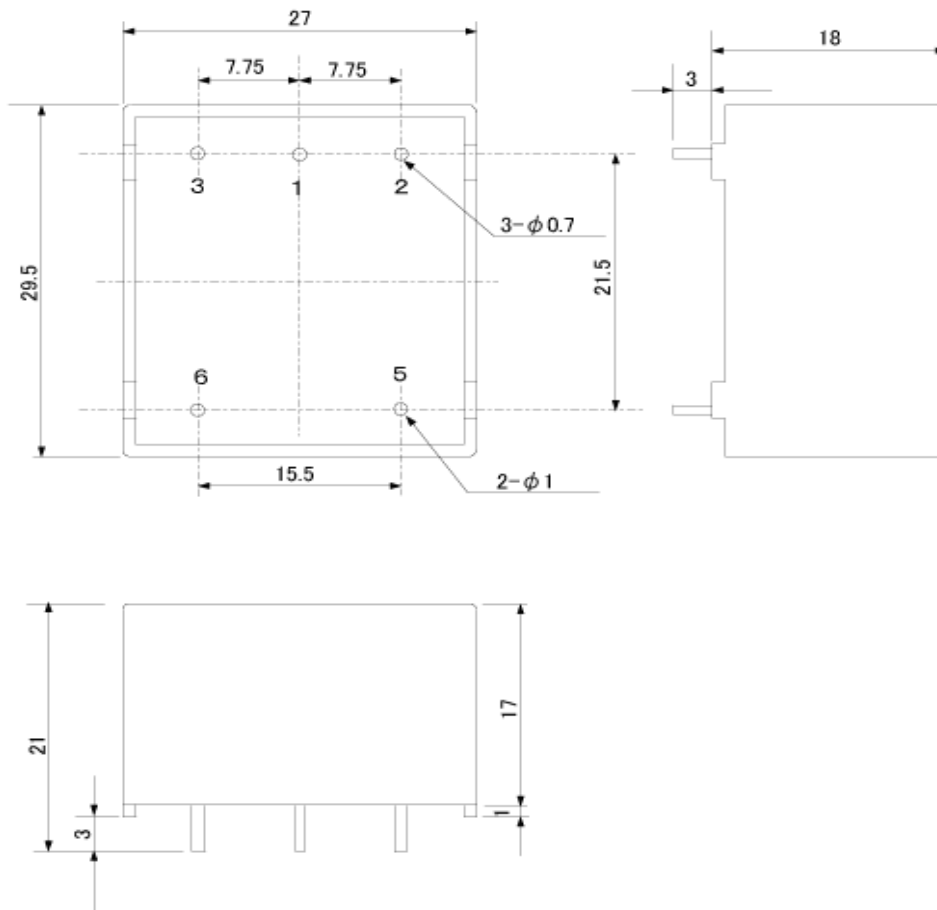
## Specifications

Ta=25°C

Product name	Code:1951		CVC-25
	Symbol	Unit	
Nominal input current	If(n)	mA	±10
Saturation current	If(s)	mA	±14
Nominal Output current	Iout	mA	±25 [at If = If(n)]
conversion ratio			2500 : 1000
Offset current	Io	mA	0±0.15 Max. [at If(n)=0]
Input resistor	Rp	Ω	250 [at Ta=70°C between Pin5 to Pin6 ]
Supply Voltage	Vcc	V DC	±12±5%~±15±5%
Load resistance	Rm	Ω	30 ~ 100
Accuracy		%	±1 Max. [at If(n)]
Response Speed	Trr	μ sec	40 Max. [at di/dt=If(n)/μ sec]
Thermal Drift of Io		mA	±0.35 Max.
Dielectric Strength		kV	AC 2.5 [with 50 or 60 Hz 1min.]
Operating Temperature	Ta	°C	0 to +70
Storage Temperature	Ts	°C	-10 to +80

# Dimensions

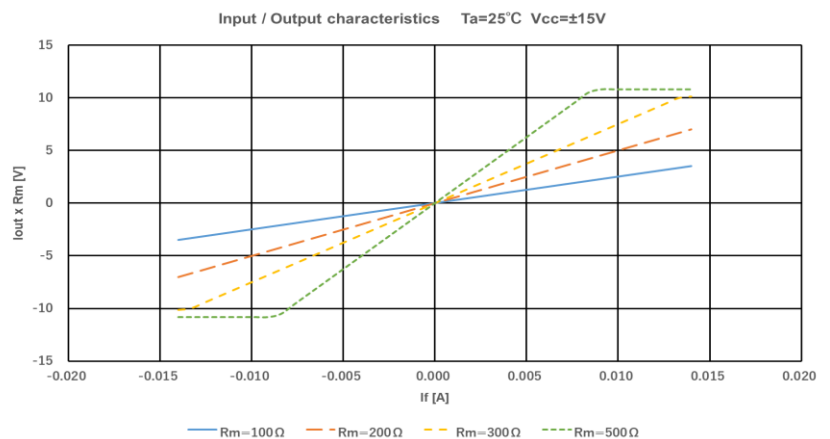
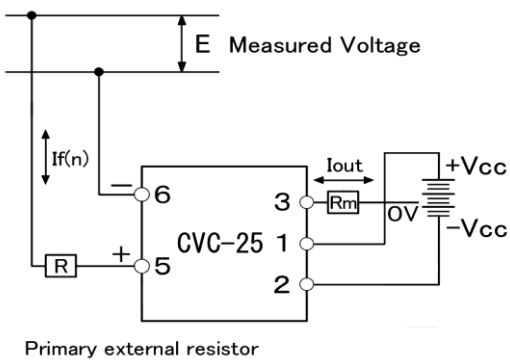
Unit : mm



CVC-21018

Product Name	Mass
CVC-25	28g

# Connection



**NANA ENGINEERING** NANA ENGINEERING CO.,LTD.

1-22-5, Morino, Machida-shi, Tokyo 194-0022

Machida 310 Irago building 4F

E-Mail : nanaeng\_sales@nana-e.com

URL : <http://www.nana-e.com>

\*Please read the caution of Closed Loop Type before using this product.  
[http://www.nana-e.com/Precautions\\_for\\_use\\_eng.pdf](http://www.nana-e.com/Precautions_for_use_eng.pdf)