

Features

- High withstand voltage 20kV
- For large current
- Low power consumption
- Extended measuring range

Open Loop Type



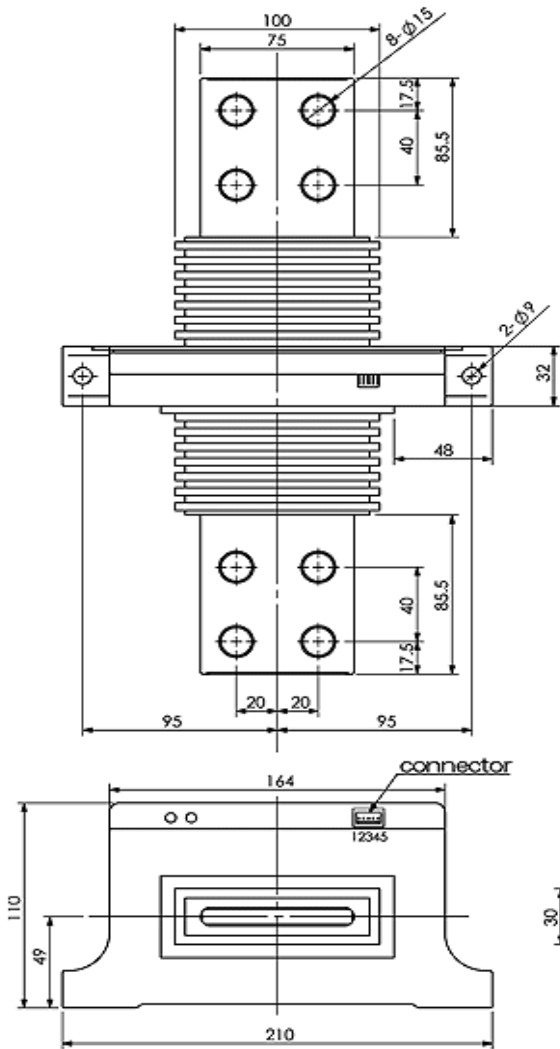
Specifications

Ta=25°C

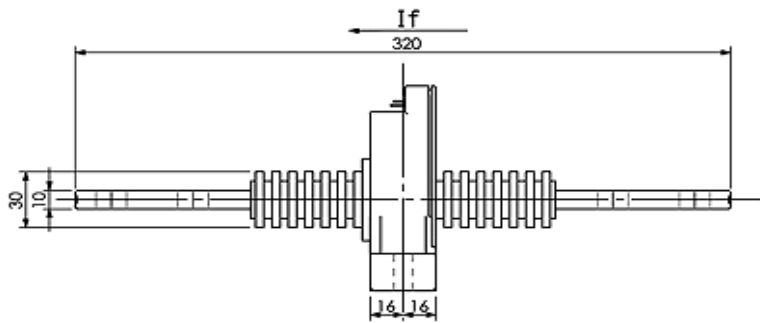
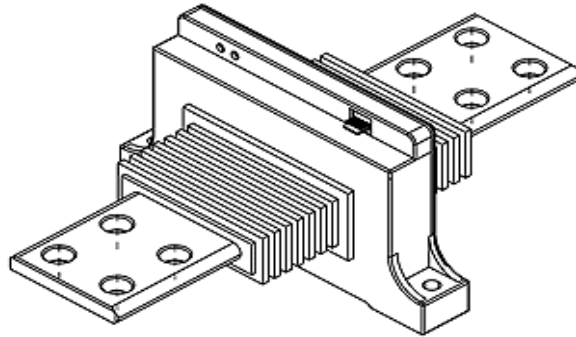
| Product name | Code:1885 | | CEA-3000HV |
|------------------------|-----------|-------|--------------------------------|
| | Symbol | Unit | |
| Nominal input current | If(n) | AT | ±3000 |
| Saturation current | If(s) | AT | ±3300 |
| Nominal Output Voltage | Vh | V | ±10±0.100 [at If(n)] |
| Load resistance | RL | Ω | 10k |
| Offset Voltage | Vo | V | 0±0.050 [at 0A] |
| Supply Voltage | Vcc | V DC | ±15±5% |
| Consumption Current | Icc | mA | ±30 Max. |
| Response Speed | Trr | μ sec | 25 Max. [at di/dt=100A/μ sec] |
| Thermal Drift of Vh | | %/°C | ±0.1 Max. [at If(n)] |
| Thermal Drift of Vo | | mV/°C | ±2 Max. [at 0A] |
| Dielectric Strength | | kV | AC 20 [with 50 or 60 Hz 1min.] |
| Insulation Resistance | | Ω | 500M Min. [at 500V DC] |
| Operating Temperature | Ta | °C | -20 to +80 |
| Storage Temperature | Ts | °C | -25 to +85 |
| Hysteresis Error | | mV | ±70 Max. [at If --> 0] |

Dimensions

Unit : mm



When installing vertically
Make sure that the connector faces downward.

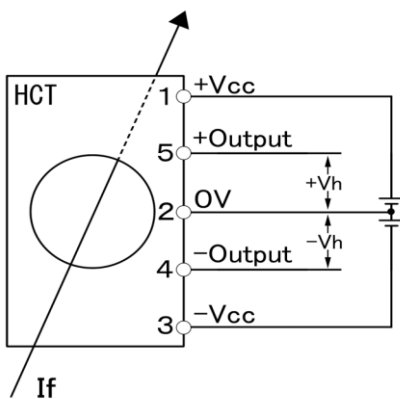


Connector Type[22-11-1051] Maker[Molex]

CEAHV-22003

| | |
|--------------|-------|
| Product Name | Mass |
| CEA-3000HV | 3910g |

Connection



NANA ENGINEERING CO.,LTD.

Machida 310 Irago building 4F
1-22-5 Morino, Machida-shi, Tokyo 194-0022
E-Mail : nanaeng_sales@nana-e.com
URL : <http://www.nana-e.com>