

Advantages

- High reliability
- Excellent accuracy
- Low thermal drift
- Fast response time
- Excellent linearity

Closed Loop Type



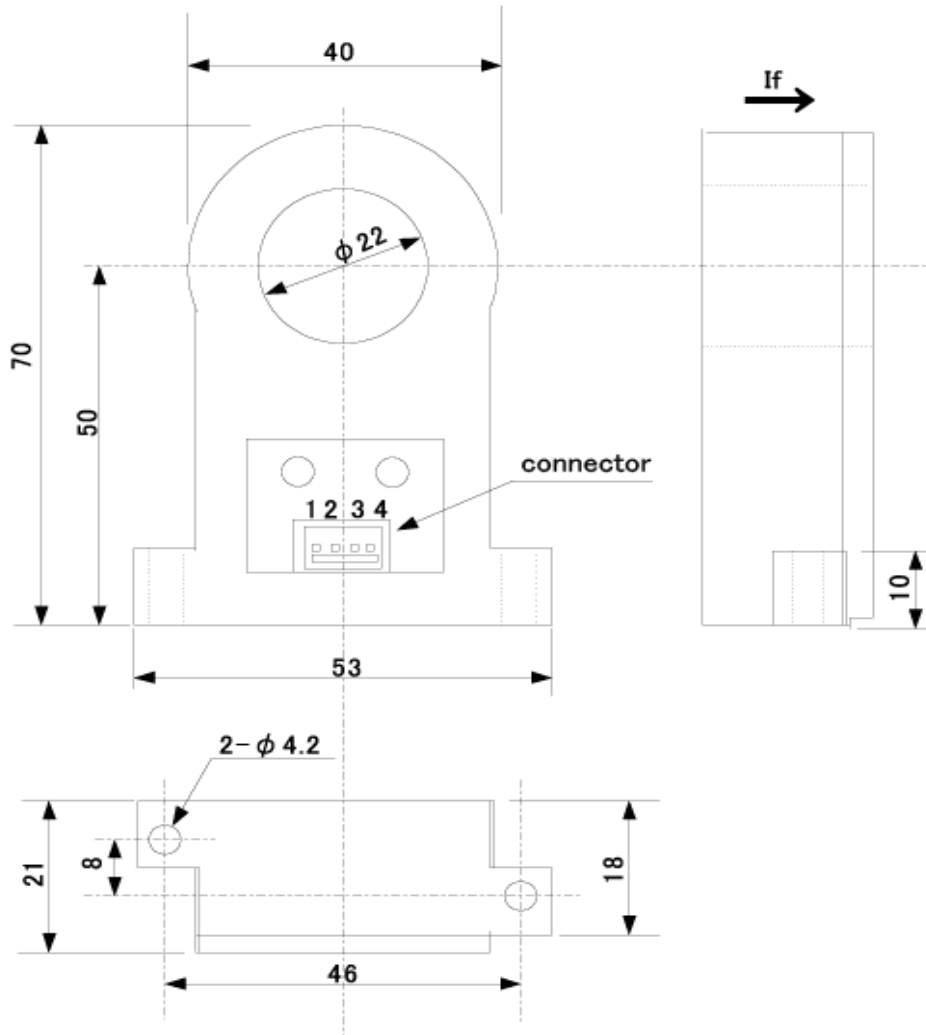
Specifications

Ta=25°C

| Product name | Code:1843 | | CRC-15 |
|---------------------------------|----------------|-------|---------------------------------|
| | Symbol | Unit | |
| Nominal input current | If(n) | A | ±150 |
| Saturation current | If(s) | A | ±300 |
| Nominal Output current | Iout | mA | I _o ±150 [at If(n)] |
| conversion ratio | | | 1 : 1000 |
| Offset current | I _o | mA | 0±0.15 [at 0A] |
| Supply Voltage | Vcc | V DC | ±15±5% |
| Consumption Current | Icc | mA | 20 + Iout |
| Response Speed | Trr | μ sec | 1 Max. [at di/dt=100A/μ sec] |
| Thermal Drift of Vh | | %/°C | ±0.05 Max. [at If(n)] |
| Thermal Drift of I _o | | mA/°C | ±0.012 Max. [at 0A] |
| Dielectric Strength | | kV | AC 2.5 [with 50 or 60 Hz 1min.] |
| Insulation Resistance | | Ω | 500M Min. [at 500V DC] |
| Operating Temperature | Ta | °C | -20 to +75 |
| Storage Temperature | Ts | °C | -25 to +85 |
| Hysteresis Error | | mA | ±0.15 Max. [at If --> 0] |
| Secondary coil resistance | | Ω | 11 [at 80°C] |

Dimensions

Unit : mm

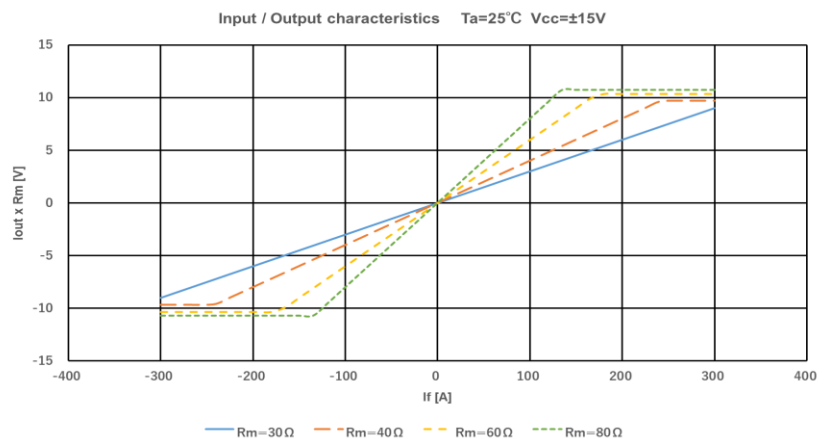
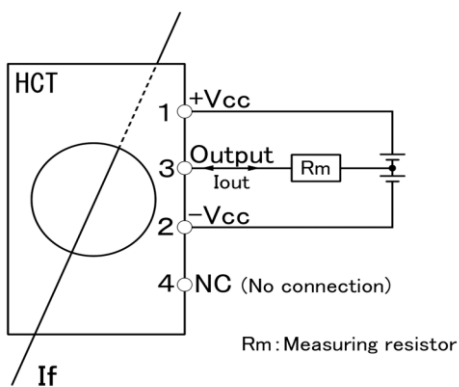


Connector Type[22-11-1041] Maker[Molex]

CR-21016

| | |
|--------------|------|
| Product Name | Mass |
| CRC-15 | 49g |

Connection



NANA ENGINEERING NANA ENGINEERING CO.,LTD.

1-22-5,Morino,Machida-shi,Tokyo 194-0022
 Machida 310 Irago building 4F
 E-Mail : nanaeng_sales@nana-e.com
 URL : <http://www.nana-e.com>

*Please read the caution of Closed Loop Type before using this product.
http://www.nana-e.com/Precautions_for_use_eng.pdf