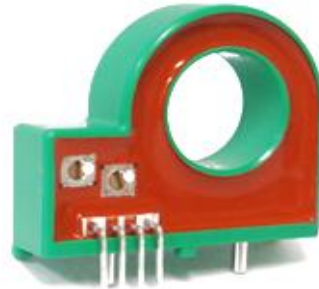


Advantages

- Low power consumption
- Extended measuring range
- Compact and lightweight

Open Loop Type



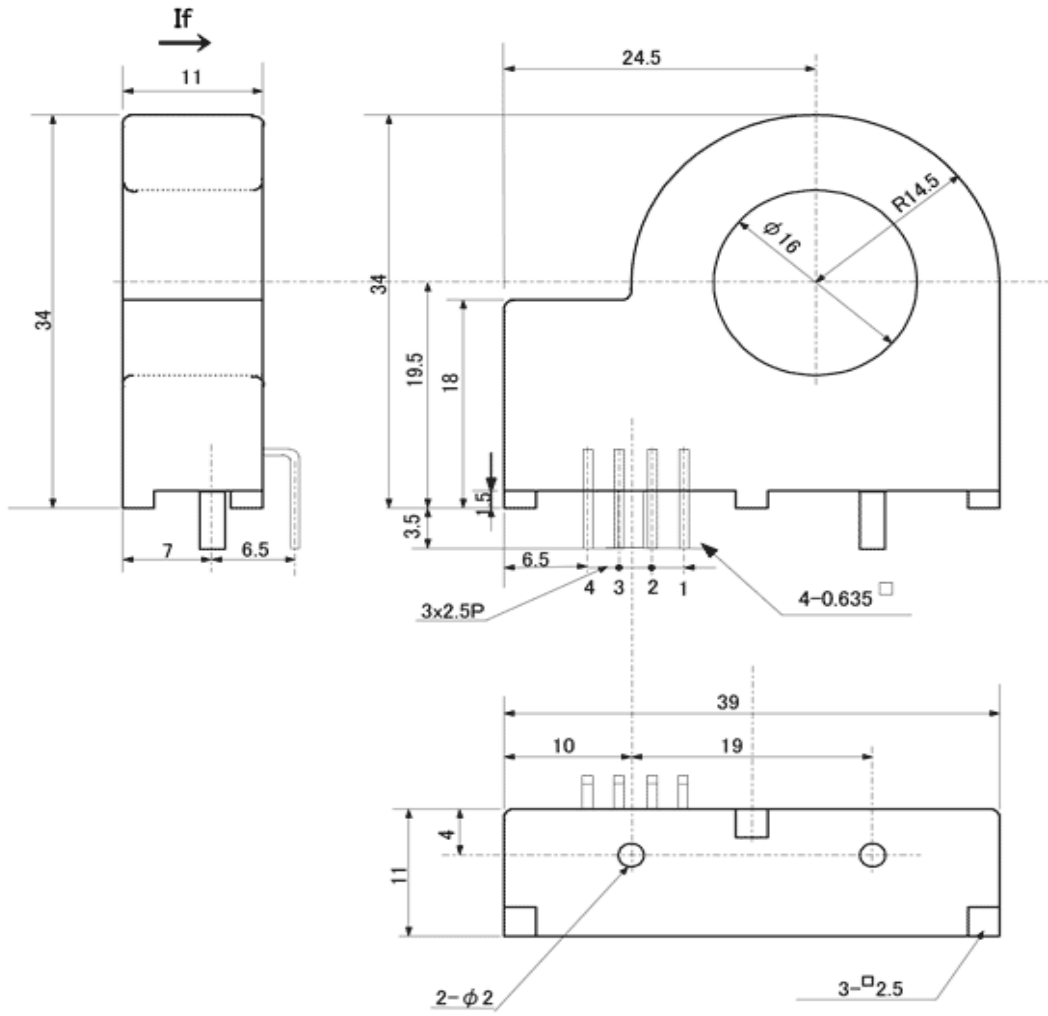
Specifications

Ta=25°C

| Product name | Code:1655 | | CB-20GS |
|------------------------|-----------|-------|---------------------------------|
| | Symbol | Unit | |
| Nominal input current | If(n) | AT | ±200 |
| Saturation current | If(s) | AT | -200~+400 |
| Nominal Output Voltage | Vh | V | Vo±2±0.050 [at If(n)] |
| Load resistance | RL | Ω | 10k |
| Offset Voltage | Vo | V | 2.5±0.050 [at 0A] |
| Supply Voltage | Vcc | V DC | +11.4~+12.6 |
| Consumption Current | Icc | mA | 15 Max. |
| Response Speed | Trr | μ sec | 5 Max. [at di/dt=100A/μ sec] |
| Thermal Drift of Vh | | %/°C | 0.1 Max. [at If(n)] |
| Thermal Drift of Vo | | mV/°C | ±2 Max. [at 0A] |
| Dielectric Strength | | kV | AC 2.5 [with 50 or 60 Hz 1min.] |
| Insulation Resistance | | Ω | 500M Min. [at 500V DC] |
| Operating Temperature | Ta | °C | -20 to +80 |
| Storage Temperature | Ts | °C | -25 to +85 |
| Hysteresis Error | | mV | ±20 Max. [at If --> 0] |

Dimensions

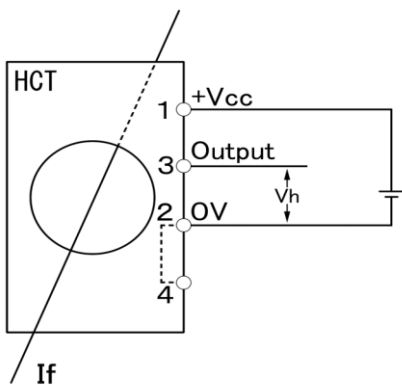
Unit : mm



CB-21015

| | |
|--------------|------|
| Product Name | Mass |
| CB-20GS | 23g |

Connection



NANA ENGINEERING CO.,LTD.

1-22-5,Morino,Machida-shi,Tokyo 194-0022
 Machida 310 Irago building 4F
 E-Mail : nanaeng_sales@nana-e.com
 URL : <http://www.nana-e.com>