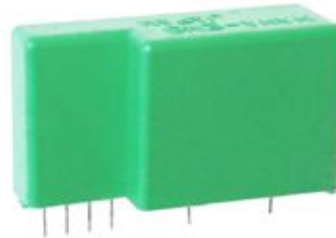


Advantages

- Compact and lightweight
- Low power consumption
- Extended measuring range
- Low cost

Open Loop Type



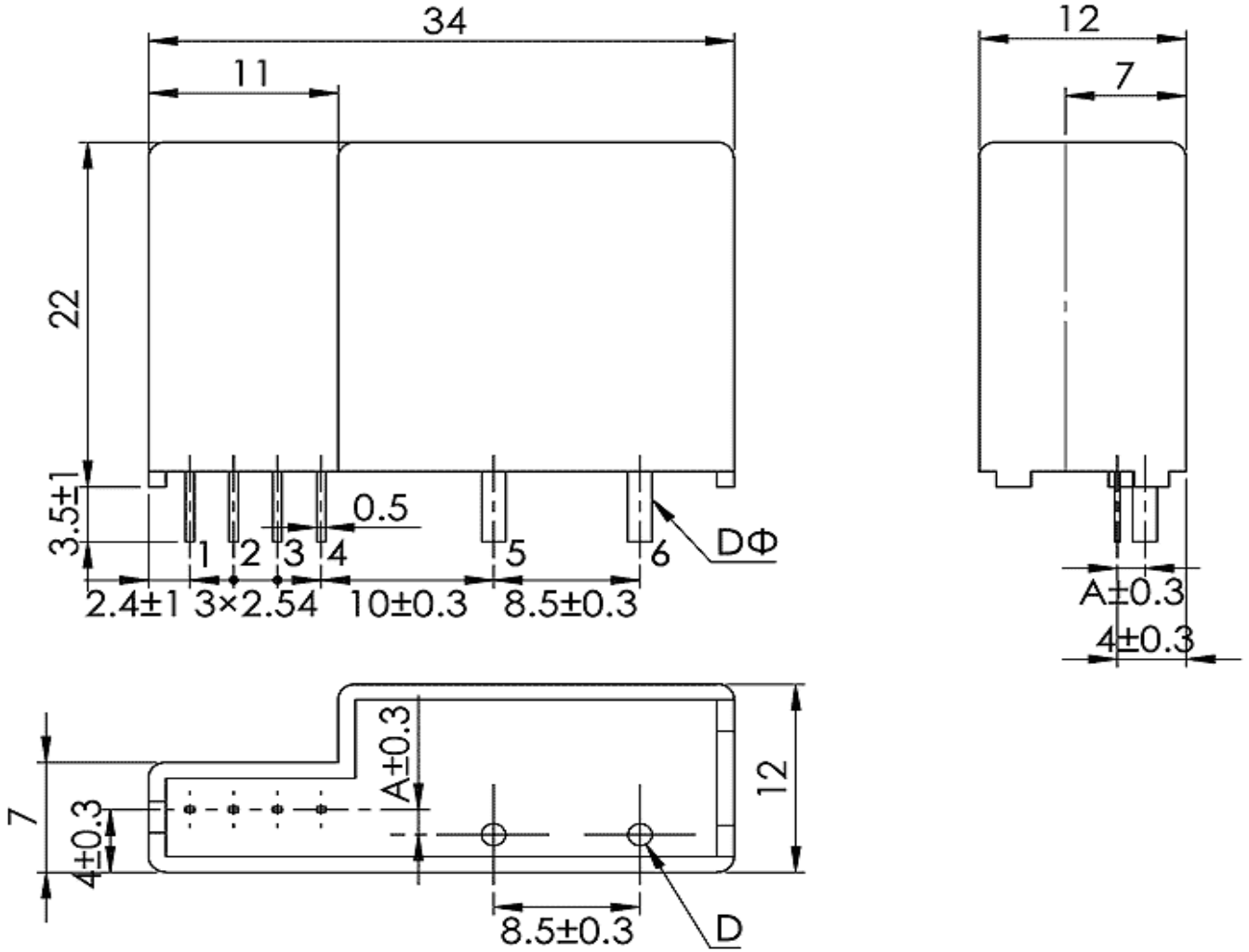
Specifications

Ta=25°C

| Product name | Code:1011 | | CX-20 |
|------------------------|-----------|-------|---------------------------------|
| | Symbol | Unit | |
| Nominal input current | If(n) | A | ±20 |
| Saturation current | If(s) | A | ±50 |
| Nominal Output Voltage | Vh | V | ±4±0.040 [at If(n)] |
| Load resistance | RL | Ω | 10k |
| Offset Voltage | Vo | V | 0±0.040 [at 0A] |
| Supply Voltage | Vcc | V DC | ±15±5% |
| Consumption Current | Icc | mA | ±18 Max. |
| Response Speed | Trr | μ sec | 2 Max. [at di/dt=100A/μ sec] |
| Thermal Drift of Vh | | %/°C | ±0.08 Max. [at If(n)] |
| Thermal Drift of Vo | | mV/°C | ±1.5 Max. [at 0A] |
| Dielectric Strength | | kV | AC 2.5 [with 50 or 60 Hz 1min.] |
| Insulation Resistance | | Ω | 500M Min. [at 500V DC] |
| Operating Temperature | Ta | °C | -20 to +80 |
| Storage Temperature | Ts | °C | -25 to +85 |
| Hysteresis Error | | mV | ±20 Max. [at If --> 0] |

Dimensions

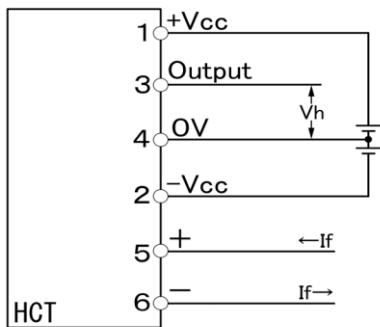
Unit : mm



CX-21033

| Product Name | Mass | Dφ | A |
|--------------|------|-----|-----|
| CX-20 | 15g | 1.4 | 1.6 |

Connection



NANA ENGINEERING CO.,LTD.

1-22-5, Morino, Machida-shi, Tokyo 194-0022
 Machida 310 Irago building 4F
 E-Mail : nanaeng_sales@nana-e.com
 URL : <http://www.nana-e.com>